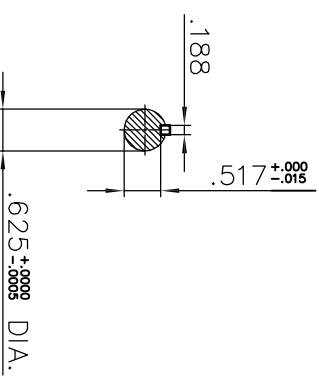
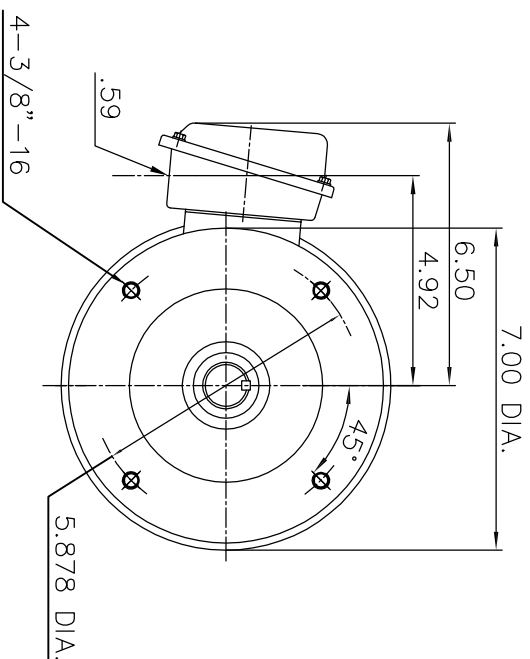
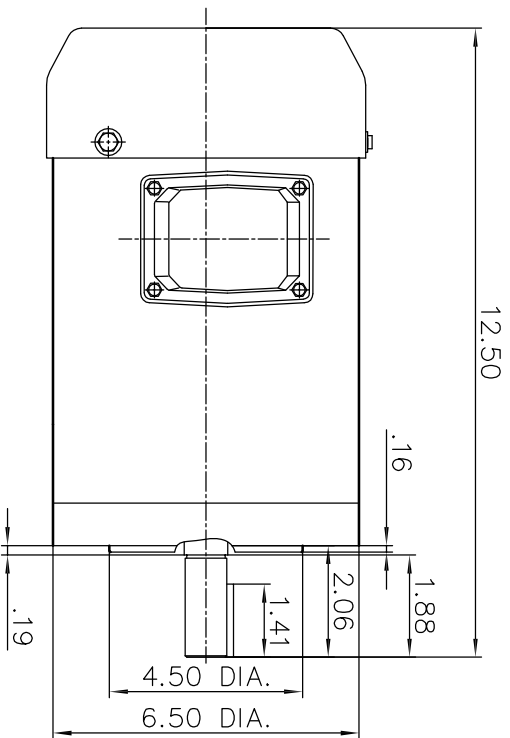


ALTERNATING CURRENT MOTORS

ENCLOSURE: TOTALLY-ENCLOSED
MOUNTING: FOOTLESS WITH C-FACE

SQUIRREL-CAGE INDUCTION
STAINLESS STEEL FRAME
FRAME 56C

COOLING: FAN COOLED



NOTES:

- (1) DIMENSIONS ARE IN INCHES.
- (2) APPROXIMATE WEIGHT = 1/4HP,2P,-30 LBS. 1/4HP,4P,-30 LBS.
1/4HP,6P,-30LBS. 1/3HP,2P,-31 LBS.
1/3HP,4P,-31 LBS. 1/3HP,6P,-31 LBS.
1/2HP,2P,-32 LBS. 1/2HP,4P,-32 LBS.
1/2HP,6P,-32 LBS. 3/4HP,2P,-34 LBS.
3/4HP,4P,-34 LBS.
- (3) DRIVE END BEARING 6205-2RZ
OPPOSITE DRIVE END BEARING 6205-2RZ

FRAME- _____ ITEM _____ HP- _____ RPM- _____ PH- _____ CERTIFIED FOR- _____ VOLT S- _____
ORDER- _____



DR. BY Barry
CK. BY Sivya Shen
APP. BY C.L. Wang
DATE 2017.04.18

DIMENSION
SHEET

SAS-013285