

ALTERNATING CURRENT MOTORS

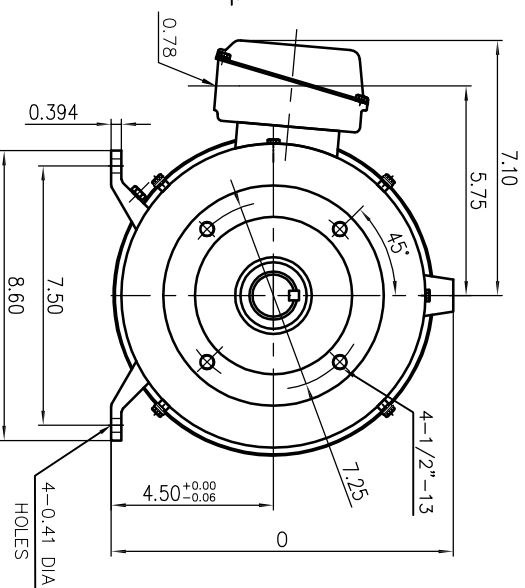
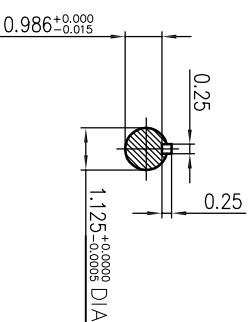
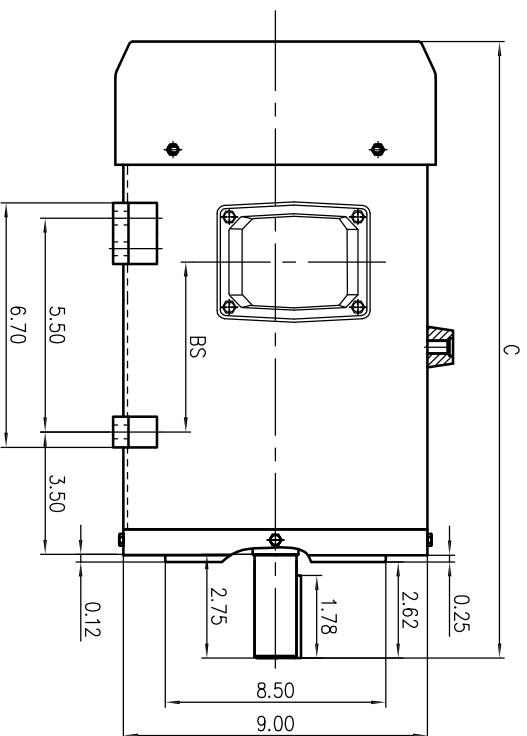
SQUIRREL-CAGE INDUCTION

STAINLESS STEEL FRAME

FRAME 184TC

COOLING: FAN COOLED

ENCLOSURE: TOTALLY ENCLOSED
MOUNTING: FOOT WITH C-FACE



NOTES:

- (1) DIMENSIONS ARE IN INCHES.
- (2) APPROXIMATE WEIGHT = 2HP, 6P, - 83 LBS.
3HP, 6P, - 86 LBS.
5HP, 2P, - 92 LBS.
5HP, 4P, - 93 LBS.
- (3) DRIVE END BEARING 6306-2RZ
OPPOSITE DRIVE END BEARING 6306-2RZ

HP	C	O	BS
5HP 2P	17.90	9.20	6.54
2HP 6P	17.90	9.20	6.54
5HP 4P	17.10	9.30	5.75
3HP 6P	17.10	9.30	5.75

FRAME- _____ ORDER- _____ ITEM _____ HP- _____ RPM- _____ PH- _____ HZ- _____ VOLTS- _____ CERTIFIED FOR- _____



DR. BY _____ Hobby
OK. BY _____ SKY
APP. BY _____ J.L. Wong
DATE _____ 04/17/2017

DIMENSION SHEET

SAS-013286

