

# ALTERNATING CURRENT MOTORS

SQUIRREL-CAGE INDUCTION

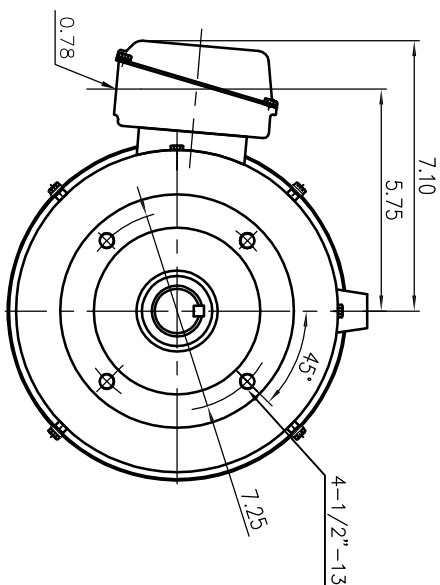
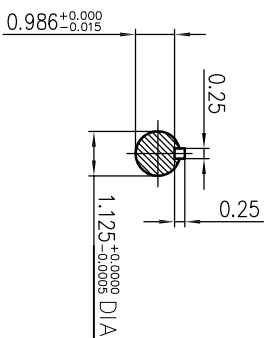
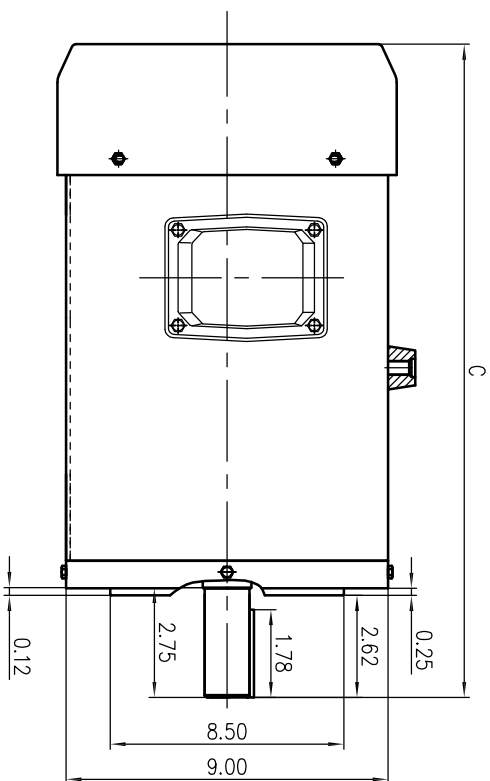
ENCLOSURE: TOTALLY ENCLOSED

STAINLESS STEEL FRAME

FRAME 184TC

COOLING: FAN COOLED

MOUNTING: FOOTLESS WITH C-FACE



## NOTES:

- (1) DIMENSIONS ARE IN INCHES.
- (2) APPROXIMATE WEIGHT = 2HP,6P, - 81 LBS.  
3HP,6P, - 84 LBS.  
5HP,2P, - 90 LBS.  
5HP,4P, - 91 LBS.
- (3) DRIVE END BEARING 6306-2RZ  
OPPOSITE DRIVE END BEARING 6306-2RZ

HP	C
5HP 2P	17.90
2HP 6P	17.90
5HP 4P	17.10
3HP 6P	17.10

FRAME- \_\_\_\_\_ ITEM- \_\_\_\_\_ HP- \_\_\_\_\_ RPM- \_\_\_\_\_ PH- \_\_\_\_\_ CERTIFIED FOR- \_\_\_\_\_ VOLTS- \_\_\_\_\_



DR. BY \_\_\_\_\_ Hobby  
OK. BY \_\_\_\_\_ SKY  
APP. BY \_\_\_\_\_ J.L.Wong  
DATE \_\_\_\_\_ 04.17.2017

DIMENSION SHEET

SAS-013287

REMARK 00