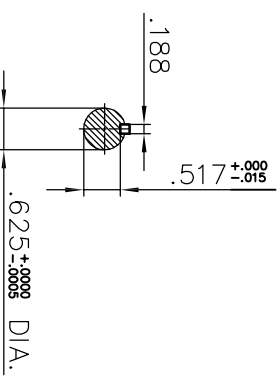
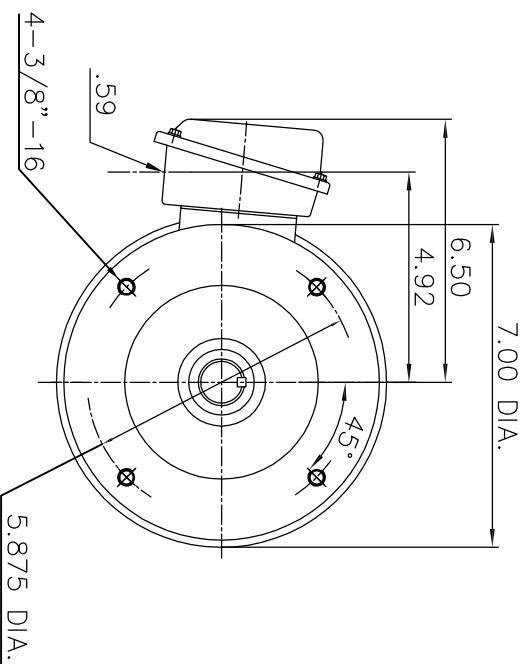
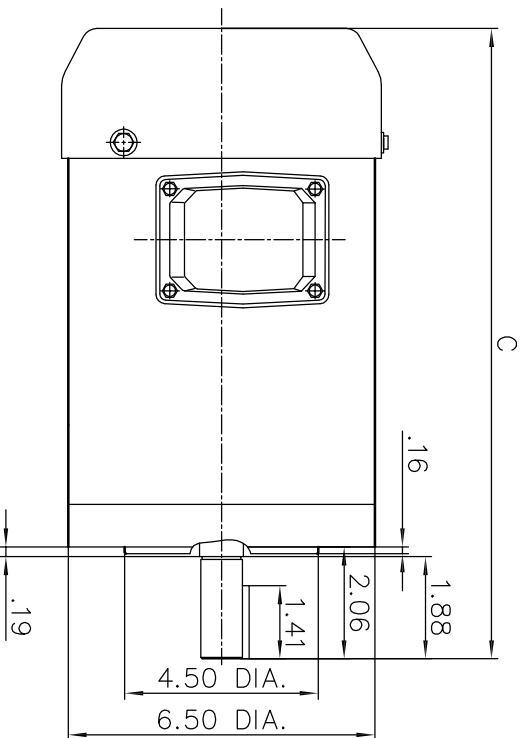


ALTERNATING CURRENT MOTORS

ENCLOSURE: TOTALLY-ENCLOSED
MOUNTING: FOOTLESS WITH C-FACE

SQUIRREL-CAGE INDUCTION
STAINLESS STEEL FRAME
FRAME 56HC

COOLING: FAN COOLED



NOTES:

- (1) DIMENSIONS ARE IN INCHES.
- (2) APPROXIMATE WEIGHT = 3/4HP,6P,-47 LBS. 1HP,2P,-48 LBS. 1HP,4P,-48 LBS. 1HP,6P,-48 LBS. 1.5HP,2P,-50 LBS. 2HP,2P,-51 LBS. 1.5HP,4P,-51 LBS. 2HP,4P,-51 LBS.
- (3) DRIVE END BEARING 6205-2RZ
OPPOSITE DRIVE END BEARING 6205-2RZ

HP	C
3/4HP; 1HP	14.00
1.5HP; 2HP	16.00

FRAME- _____ ITEM _____ HP- _____ RPM- _____ PH- _____ HZ- _____ VOLTS- _____
ORDER- _____ CERTIFIED FOR- _____



DR. BY Berry
CK. BY Sky Shen
APP. BY C.L. Hsiao
DATE 2017.04.18

DIMENSION SHEET

SAS-013294