

ALTERNATING CURRENT MOTORS

SQUIRREL-CAGE INDUCTION

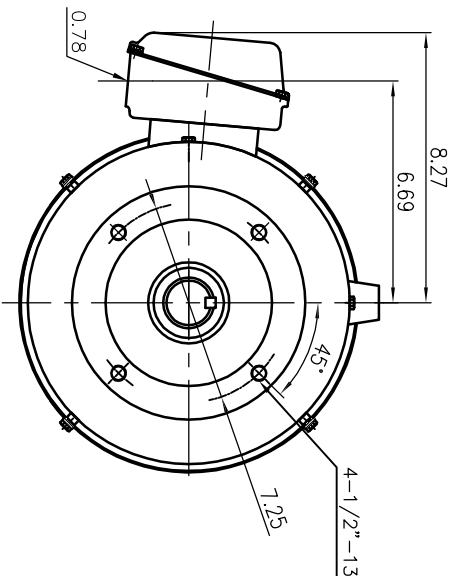
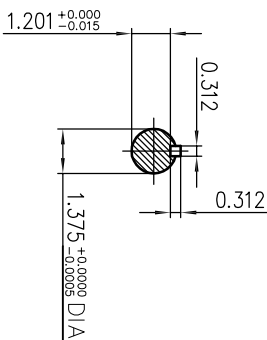
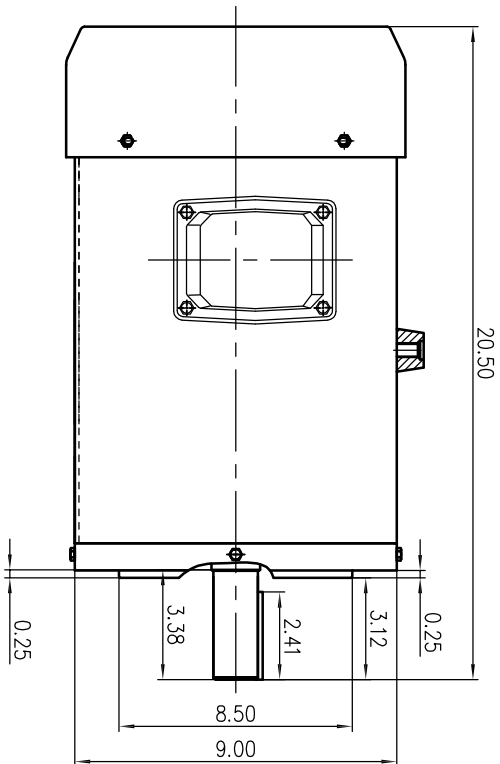
ENCLOSURE: TOTALLY ENCLOSED

STAINLESS STEEL FRAME

COOLING: FAN COOLED

MOUNTING: FOOTLESS WITH C-FACE

FRAME 213TC



NOTES:

- (1) DIMENSIONS ARE IN INCHES.
- (2) APPROXIMATE WEIGHT = 3HP,6P,-141 LBS.
7.5HP,2P,-144 LBS.
7.5HP,4P,-146 LBS.
- (3) DRIVE END BEARING 6208-2RZ
OPPOSITE DRIVE END BEARING 6208-2RZ

FRAME- _____ ITEM _____ HP- _____ RPM- _____ PH- _____ CERTIFIED FOR- _____ VOLTS- _____
ORDER- _____



DR. BY _____ Hobby
OK. BY _____ SKY
APP. BY _____ J.L.Wang
DATE _____ 04.17.2017

DIMENSION SHEET

SAS-013296

REMARK (00)