

ALTERNATING CURRENT MOTORS

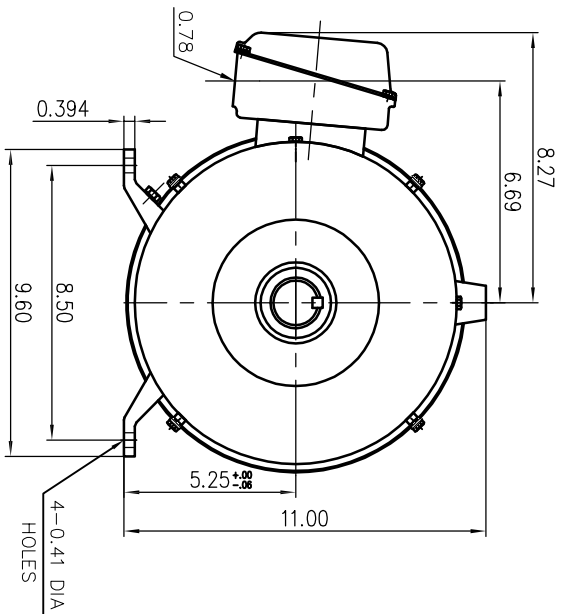
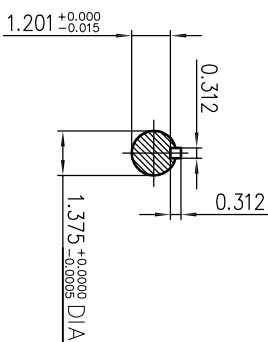
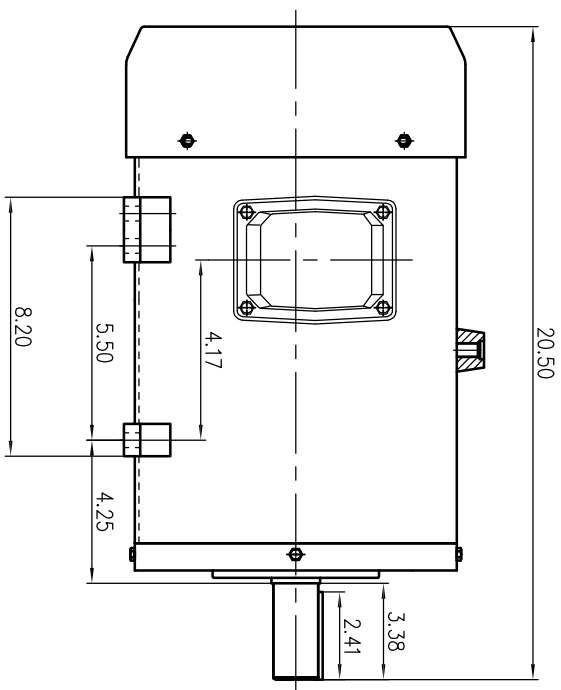
SQUIRREL-CAGE INDUCTION

STAINLESS STEEL FRAME

FRAME 213T

COOLING: FAN COOLED

ENCLOSURE: TOTALLY ENCLOSED
MOUNTING: FOOT



NOTES:

- (1) DIMENSIONS ARE IN INCHES.
- (2) APPROXIMATE WEIGHT = 3HP,6P,-143 LBS.
7.5HP,2P,-146 LBS.
7.5HP,4P,-148 LBS.
- (3) DRIVE END BEARING 6208-2RZ
OPPOSITE DRIVE END BEARING 6208-2RZ

FRAME- _____ ITEM _____ HP- _____ RPM- _____ PH- _____ CERTIFIED FOR- _____ VOLTS- _____
ORDER- _____



DR. BY _____ Hobby
OK. BY _____ SKY
APP. BY _____ J.L.Wang
DATE _____ 04.17.2017

DIMENSION SHEET

SAS-013297

REMARK
00