

ALTERNATING CURRENT MOTORS

SQUIRREL-CAGE INDUCTION

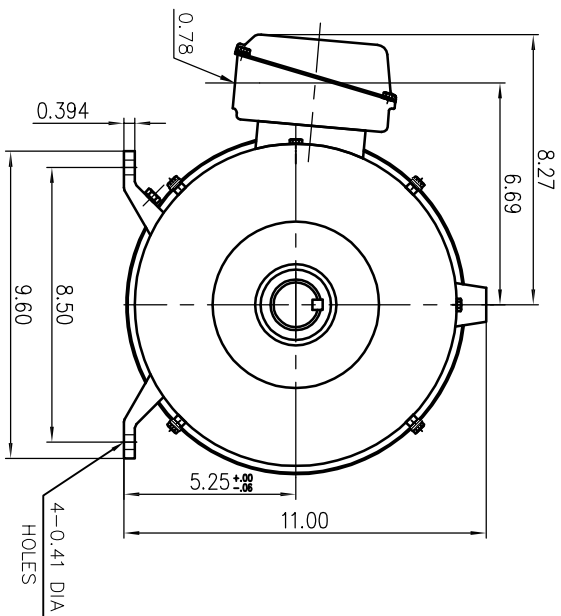
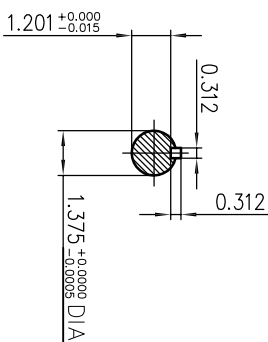
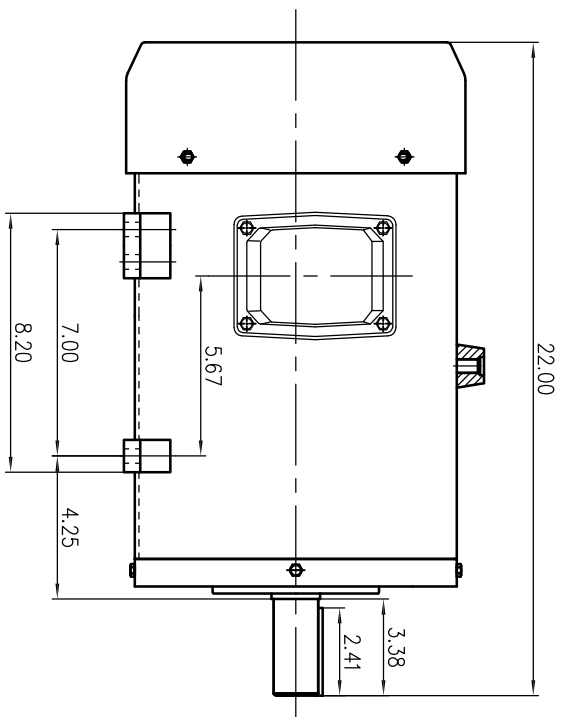
ENCLOSURE: TOTALLY ENCLOSED

STAINLESS STEEL FRAME

COOLING: FAN COOLED

MOUNTING: FOOT

FRAME 215T



NOTES:

- (1) DIMENSIONS ARE IN INCHES.
- (2) APPROXIMATE WEIGHT = 5HP,6P,- 170 LBS.
10HP,2P,- 178 LBS.
10HP,4P,- 180 LBS.
- (3) DRIVE END BEARING 6208-2RZ
OPPOSITE DRIVE END BEARING 6208-2RZ

FRAME- _____ ITEM _____ HP- _____ RPM- _____ PH- _____ CERTIFIED FOR- _____ VOLTS- _____
ORDER- _____



DR. BY _____ Hobby
OK. BY _____ SKY
APP. BY _____ J.L.Wang
DATE _____ 04.17.2017

DIMENSION SHEET

SAS-013298

REMARK (00)