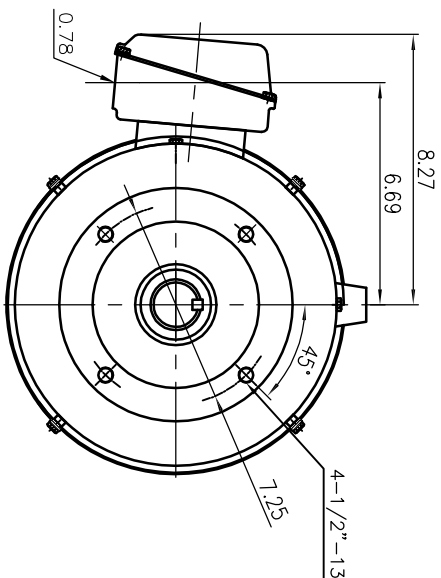
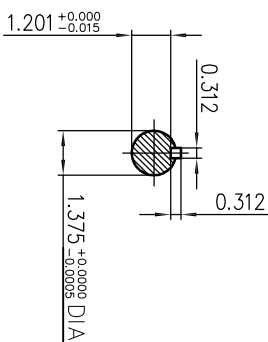
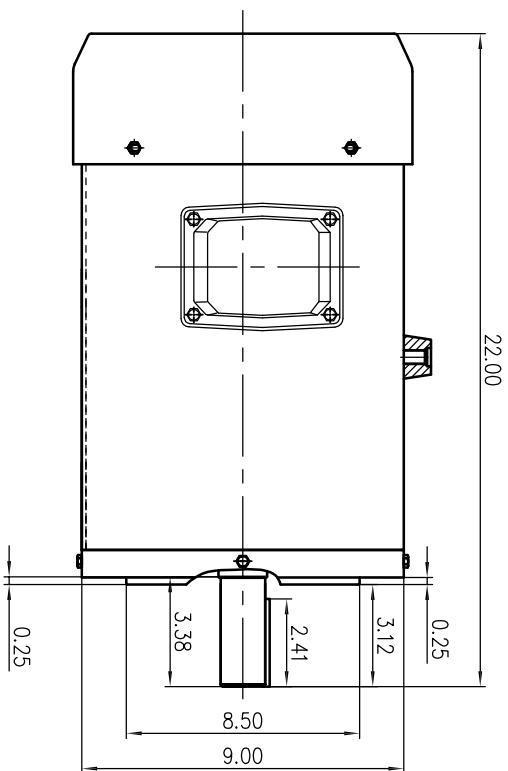


# ALTERNATING CURRENT MOTORS

ENCLOSURE: TOTALLY ENCLOSED  
 MOUNTING: FOOTLESS WITH C-FACE  
 SQUIRREL-CAGE INDUCTION  
 STAINLESS STEEL FRAME  
 FRAME 215TC  
 COOLING: FAN COOLED



**NOTES:**

- (1) DIMENSIONS ARE IN INCHES.
- (2) APPROXIMATE WEIGHT = 5HP,6P,- 168 LBS.  
 10HP,2P,- 176 LBS.  
 10HP,4P,- 178 LBS.
- (3) DRIVE END BEARING 6208-2RZ  
 OPPOSITE DRIVE END BEARING 6208-2RZ

FRAME- \_\_\_\_\_ ITEM \_\_\_\_\_ HP- \_\_\_\_\_ RPM- \_\_\_\_\_ PH- \_\_\_\_\_ CERTIFIED FOR- \_\_\_\_\_  
 ORDER- \_\_\_\_\_



DR. BY \_\_\_\_\_ Hobby  
 OK. BY \_\_\_\_\_ SKY  
 APP. BY \_\_\_\_\_ J.L.Wong  
 DATE \_\_\_\_\_ 04.17.2017

**DIMENSION SHEET**

SAS-013300

REMARK  
 (00)