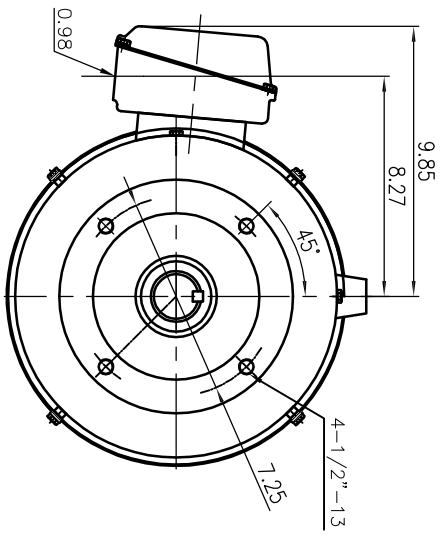
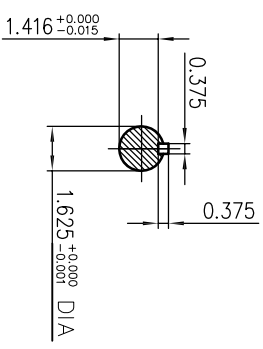
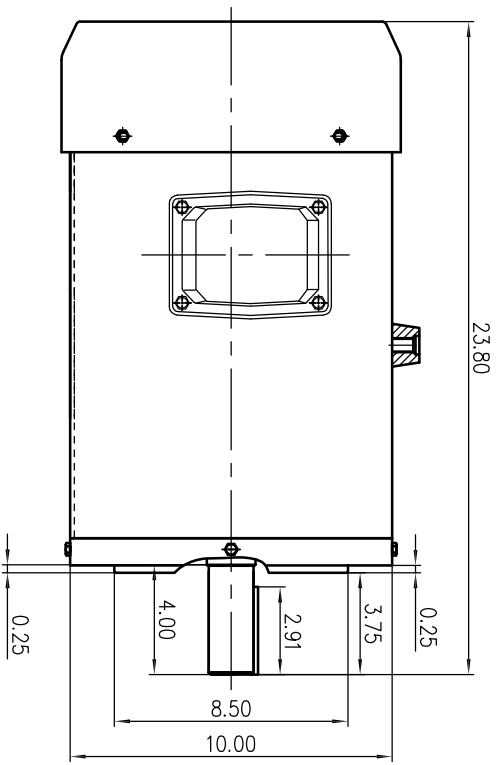


# ALTERNATING CURRENT MOTORS

ENCLOSURE: TOTALLY ENCLOSED  
 MOUNTING: FOOTLESS WITH C-FACE  
 SQUIRREL-CAGE INDUCTION  
 STAINLESS STEEL FRAME  
 FRAME 254TC  
 COOLING: FAN COOLED



**NOTES:**

- (1) DIMENSIONS ARE IN INCHES.
- (2) APPROXIMATE WEIGHT = 7.5HP,6P,-254 LBS.
- (3) DRIVE END BEARING 6309-2RZ  
 OPPOSITE DRIVE END BEARING 6309-2RZ

FRAME- \_\_\_\_\_ ITEM \_\_\_\_\_ HP- \_\_\_\_\_ RPM- \_\_\_\_\_ PH- \_\_\_\_\_ CERTIFIED FOR- \_\_\_\_\_  
 ORDER- \_\_\_\_\_



DR. BY \_\_\_\_\_ Hobby  
 OK. BY \_\_\_\_\_ SKY  
 APP. BY \_\_\_\_\_ J.L.Wong  
 DATE \_\_\_\_\_ 04.17.2017

**DIMENSION SHEET**  
 SAS-013302  
 REV. MARK 00