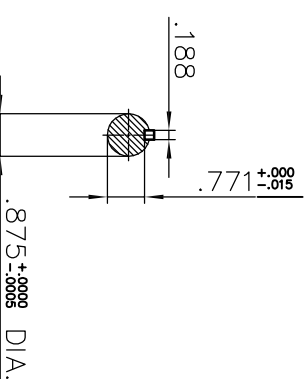
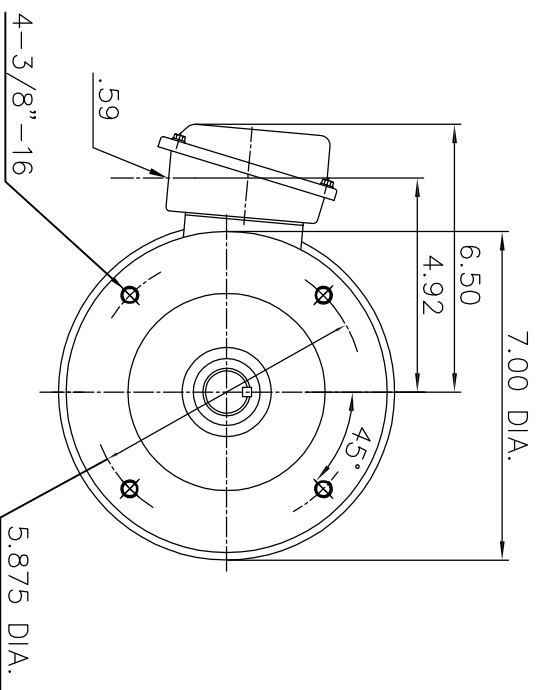
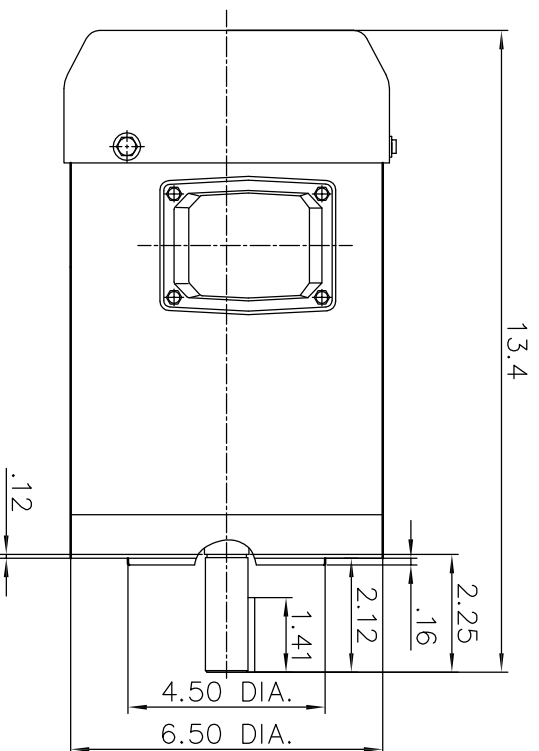


ALTERNATING CURRENT MOTORS

ENCLOSURE: TOTALLY-ENCLOSED
MOUNTING: FOOTLESS WITH C-FACE

SQUIRREL-CAGE INDUCTION
STAINLESS STEEL FRAME
FRAME 143TC

COOLING: FAN COOLED



NOTES:

- (1) DIMENSIONS ARE IN INCHES.
- (2) APPROXIMATE WEIGHT = 3/4HP,2P,-37 LBS. 3/4HP,4P,-37 LBS.
3/4HP,6P,-37 LBS.
1HP,2P,-38 LBS. 1HP,4P,-38 LBS.
1.5HP,2P,-39 LBS.
- (3) DRIVE END BEARING 6205-2RZ
OPPOSITE DRIVE END BEARING 6205-2RZ

FRAME- _____ ITEM _____ HP- _____ RPM- _____ PH- _____ HZ- _____ VOLTS- _____
CERTIFIED FOR _____



DR. BY Barry
OK. BY Sky shen
APP. BY C.L.Wang
DATE 2017.04.18

DIMENSION
SHEET

SAS-013305