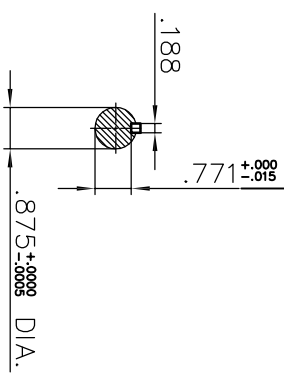
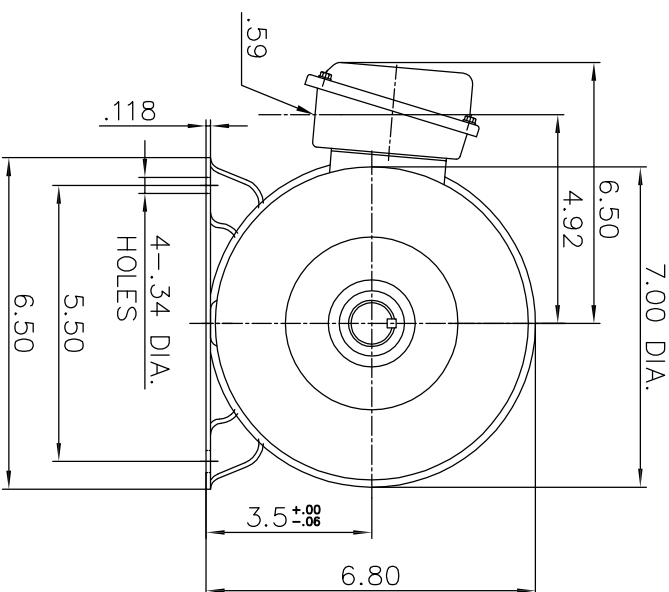
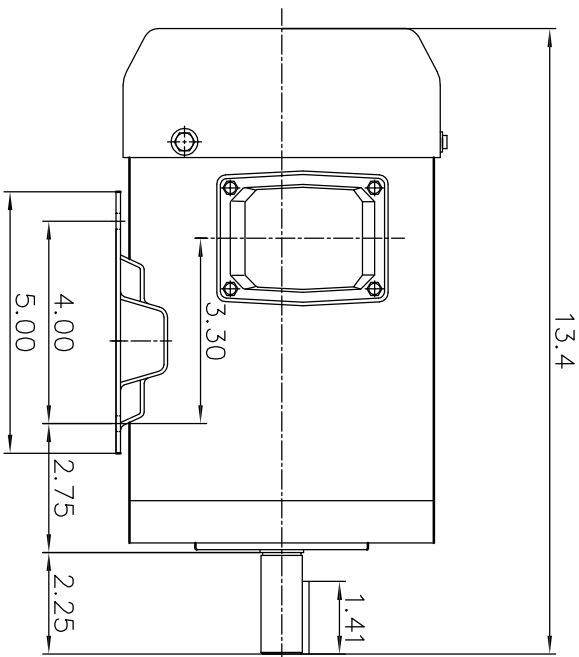


ALTERNATING CURRENT MOTORS

ENCLOSURE: TOTALLY-ENCLOSED
MOUNTING: FOOT

SQUIRREL-CAGE INDUCTION
STAINLESS STEEL FRAME
FRAME 143T

COOLING: FAN COOLED



NOTES:

- (1) DIMENSIONS ARE IN INCHES.
- (2) APPROXIMATE WEIGHT = 3/4HP, 2P, -39 LBS. 3/4HP, 4P, -39 LBS.
3/4HP, 6P, -39 LBS.
1HP, 2P, -40 LBS. 1HP, 4P, -40 LBS.
1.5HP, 2P, -41 LBS.
- (3) DRIVE END BEARING 6205-2RZ
OPPOSITE DRIVE END BEARING 6205-2RZ

FRAME - _____ ITEM - _____ HP - _____ RPM - _____ PH - _____ HZ - _____ VOLTS - _____
ORDER - _____



DR. BY Berry
CK. BY Sky Shen
APP. BY C.L. Wong
DATE 2017.04.18

DIMENSION SHEET

SAS-013306