

ALTERNATING CURRENT MOTORS

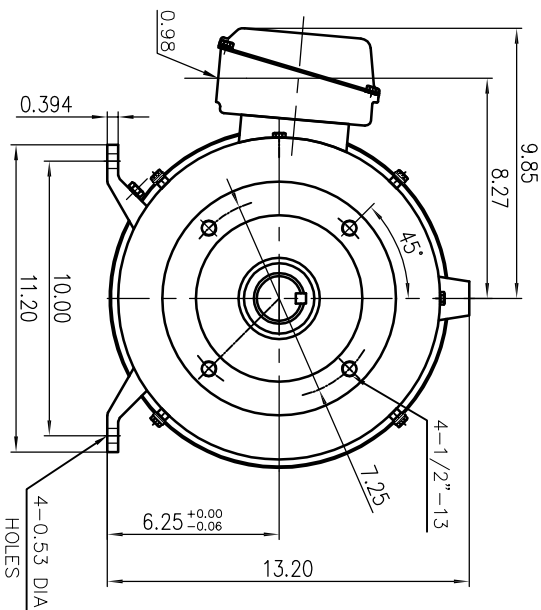
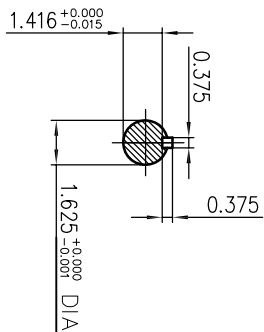
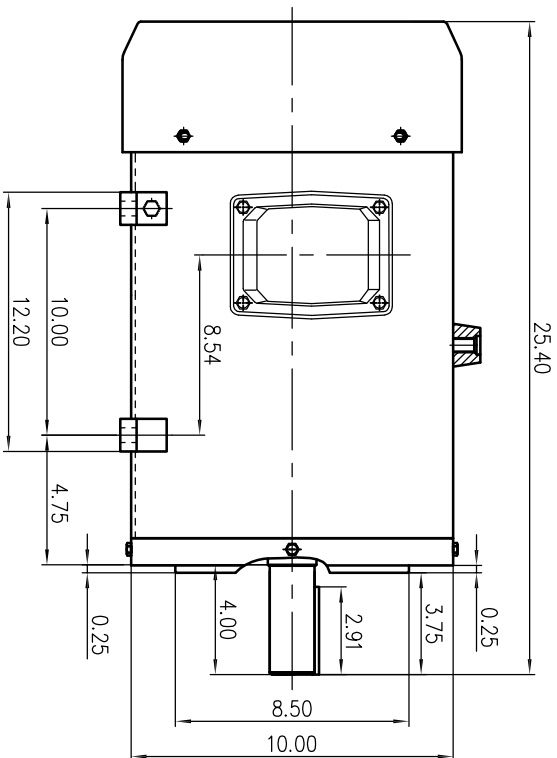
SQUIRREL-CAGE INDUCTION

STAINLESS STEEL FRAME

FRAME 256TC

COOLING: FAN COOLED

ENCLOSURE: TOTALLY ENCLOSED
MOUNTING: FOOT WITH C-FACE



NOTES:

- (1) DIMENSIONS ARE IN INCHES.
- (2) APPROXIMATE WEIGHT = 10HP, 6P, - 300 LBS.
- (3) DRIVE END BEARING 6309-2RZ
OPPOSITE DRIVE END BEARING 6309-2RZ

FRAME- _____ ITEM _____ HP- _____ RPM- _____ PH- _____ CERTIFIED FOR- _____ HZ- _____ VOLTS- _____
ORDER- _____



DR. BY _____ Hobby
OK. BY _____ SKY
APP. BY _____ J.L. Wong
DATE _____ 04.17.2017

DIMENSION SHEET

SAS-013307

REMARK 00