

# ALTERNATING CURRENT MOTORS

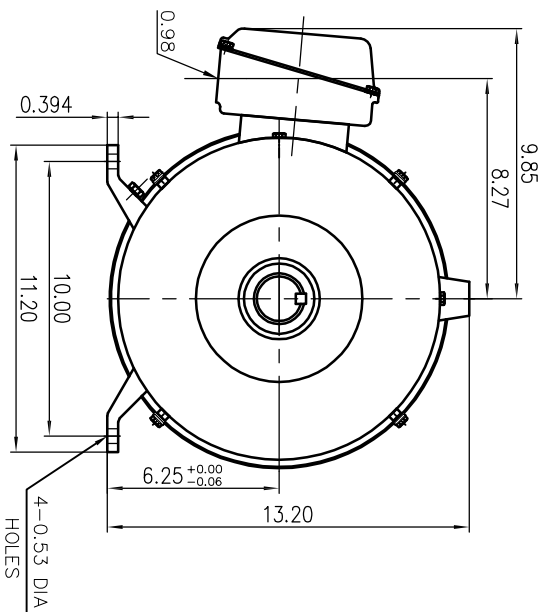
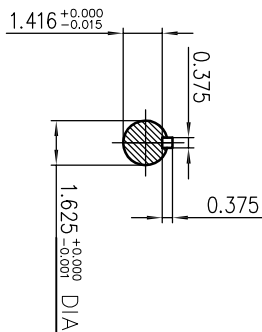
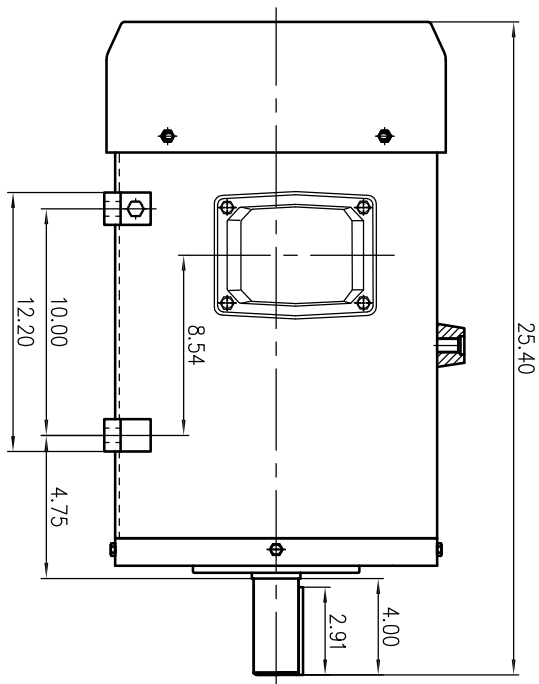
SQUIRREL-CAGE INDUCTION

STAINLESS STEEL FRAME

FRAME 256T

COOLING: FAN COOLED

ENCLOSURE: TOTALLY ENCLOSED  
MOUNTING: FOOT



NOTES:

- (1) DIMENSIONS ARE IN INCHES.
- (2) APPROXIMATE WEIGHT = 10HP, 6P, -300 LBS.
- (3) DRIVE END BEARING 6309-2RZ  
OPPOSITE DRIVE END BEARING 6309-2RZ

FRAME- \_\_\_\_\_ ITEM \_\_\_\_\_ HP- \_\_\_\_\_ RPM- \_\_\_\_\_ PH- \_\_\_\_\_ CERTIFIED FOR- \_\_\_\_\_ VOLTS- \_\_\_\_\_



DR. BY \_\_\_\_\_ Hobby  
OK. BY \_\_\_\_\_ SKY  
APP. BY \_\_\_\_\_ J.L.Wong  
DATE \_\_\_\_\_ 04.17.2017

DIMENSION SHEET

SAS-013309

REMARK (00)