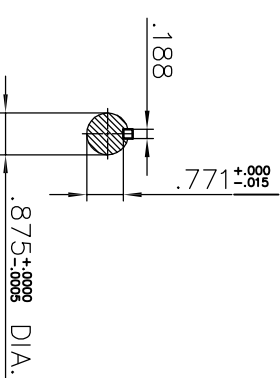
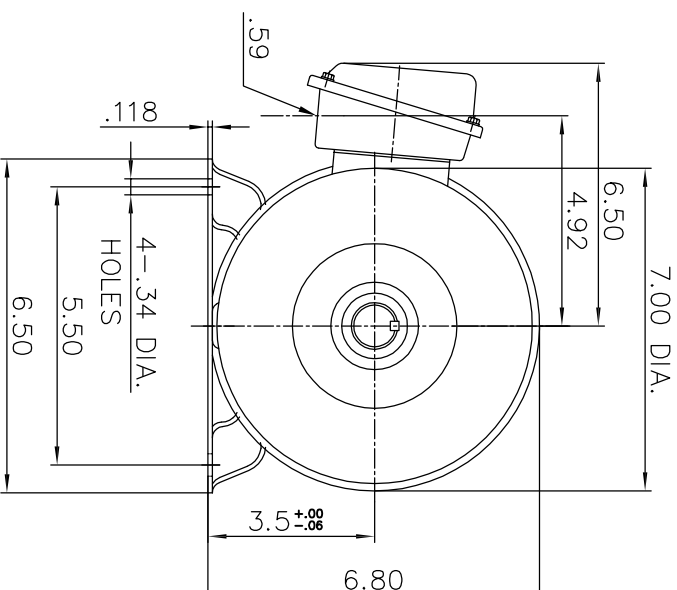
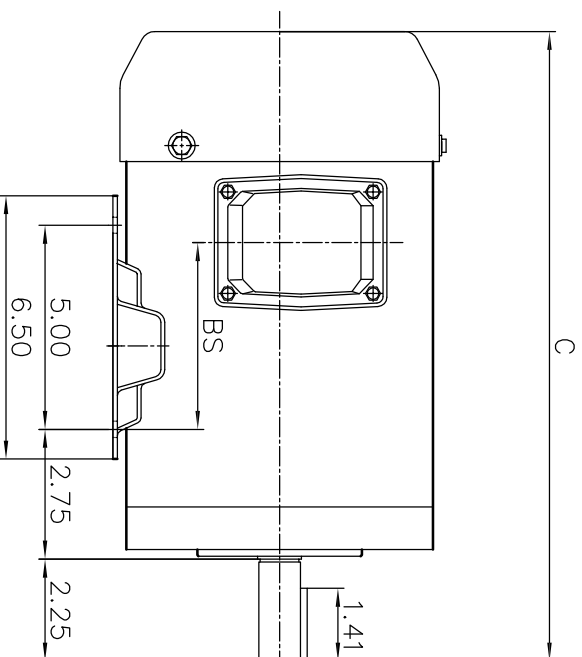


ALTERNATING CURRENT MOTORS

ENCLOSURE: TOTALLY-ENCLOSED
MOUNTING: FOOT

SQUIRREL-CAGE INDUCTION
STAINLESS STEEL FRAME
FRAME 145T

COOLING: FAN COOLED



NOTES:

- (1) DIMENSIONS ARE IN INCHES.
- (2) APPROXIMATE WEIGHT = 1HP, 6P, -46 LBS. 1.5HP, 4P, - 48 LBS.
2HP, 2P, -49 LBS. 2HP, 4P, - 49 LBS.
3HP, 2P, -59 LBS. 3HP, 4P, - 59 LBS.
- (3) DRIVE END BEARING 6205-2RZ
OPPOSITE DRIVE END BEARING 6205-2RZ

HP	C	BS
1HP; 1.5HP	14.20	4.05
2HP; 3HP	16.20	6.02

FRAME- _____ ITEM _____ HP- _____ RPM- _____ PH- _____ HZ- _____ VOLTS- _____
ORDER- _____ CERTIFIED FOR- _____



DR. BY Berry
CK. BY Sky Shen
APP. BY C.L. Wang
DATE 2017.04.18

DIMENSION SHEET SAS-013312