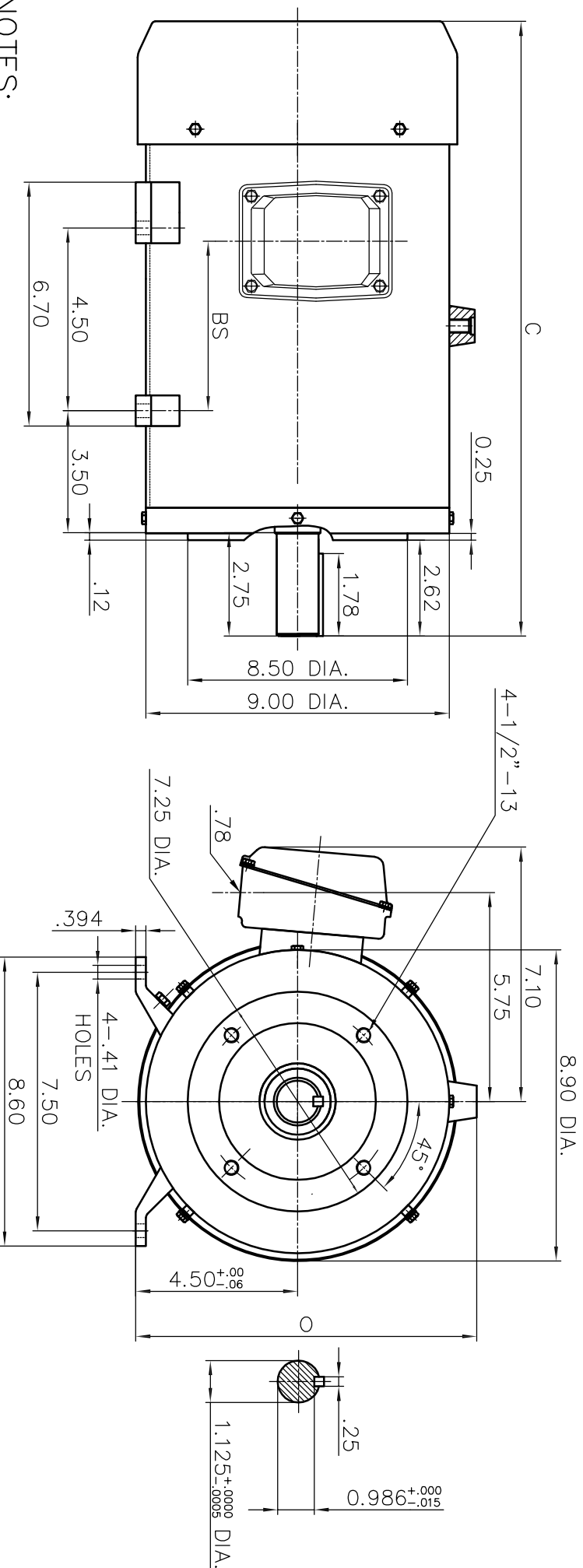


ALTERNATING CURRENT MOTORS

ENCLOSURE: TOTALLY-ENCLOSED
MOUNTING: FOOT WITH C-FACE

SQUIRREL-CAGE INDUCTION
STAINLESS STEEL FRAME
FRAME 182TC

COOLING: FAN COOLED



NOTES:

- (1) DIMENSIONS ARE IN INCHES.
- (2) APPROXIMATE WEIGHT = 1.5HP, 6P, - 84 LBS. 3HP, 2P, - 84 LBS. 3HP, 4P, - 86 LBS.
- (3) DRIVE END BEARING 6306-2RZ
OPPOSITE DRIVE END BEARING 6306-2RZ

HP	C	O	BS
3HP 2P	17.30	9.20	5.16
1.5HP 6P / 3HP 4P	16.50	9.30	4.96

FRAME- _____ ITEM _____ HP- _____ RPM- _____ PH- _____ HZ- _____ VOLTS- _____
ORDER- _____

CERTIFIED FOR-



DR. BY _____ Berry
CK. BY _____ Sky Shen
APP. BY _____ C.L. Wong
DATE _____ 2017.04.18

DIMENSION SHEET

SAS-013313