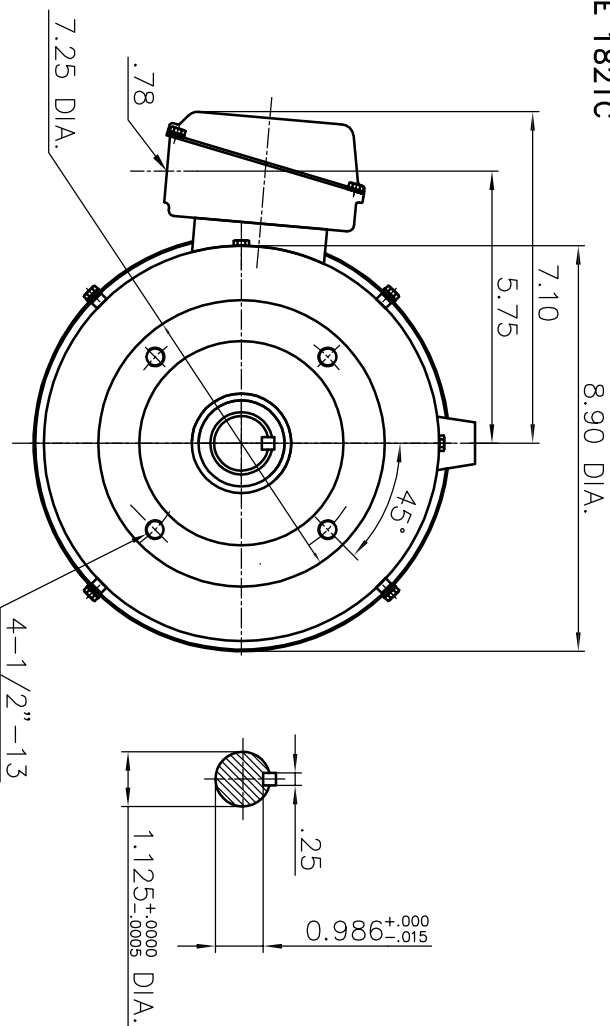
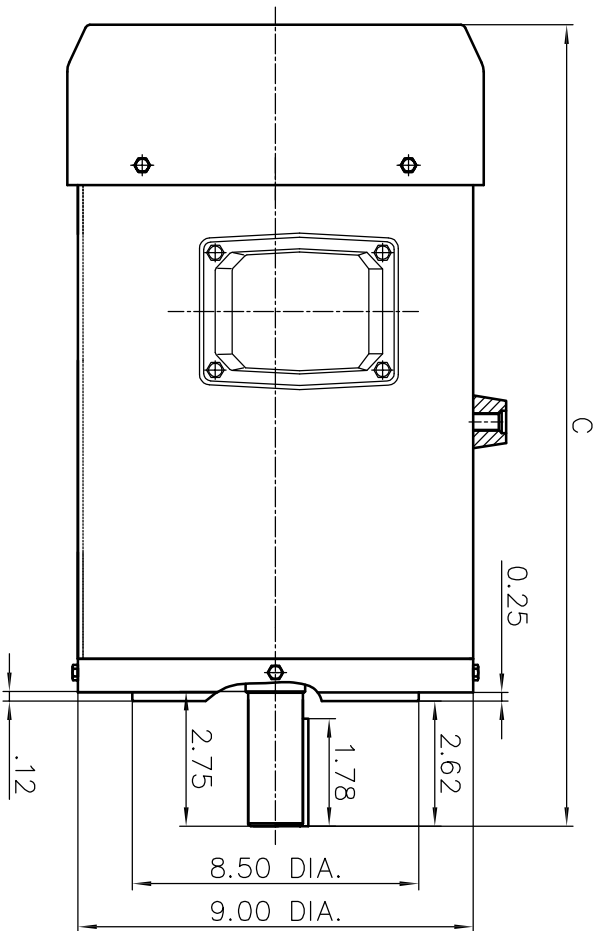


ALTERNATING CURRENT MOTORS

ENCLOSURE: TOTALLY-ENCLOSED
MOUNTING: FOOTLESS WITH C-FACE

SQUIRREL-CAGE INDUCTION
STAINLESS STEEL FRAME
FRAME 182TC

COOLING: FAN COOLED



NOTES:

- (1) DIMENSIONS ARE IN INCHES.
- (2) APPROXIMATE WEIGHT = 1.5HP, 6P, - 82 LBS. 3HP, 2P, -82 LBS. 3HP, 4P, -84 LBS.
- (3) DRIVE END BEARING 6306-2RZ
OPPOSITE DRIVE END BEARING 6306-2RZ

HP	C	O
3HP 2P	17.30	9.20
1.5HP 6P / 3HP 4P	16.50	9.30

FRAME- _____ ITEM- _____ HP- _____ RPM- _____ PH- _____ HZ- _____ VOLTS- _____
ORDER- _____ CERTIFIED FOR- _____



DR. BY: Barry
CK. BY: Sky Shen
APP. BY: C.L. Wong
DATE: 2017.04.18

DIMENSION
SHEET

SAS-013314