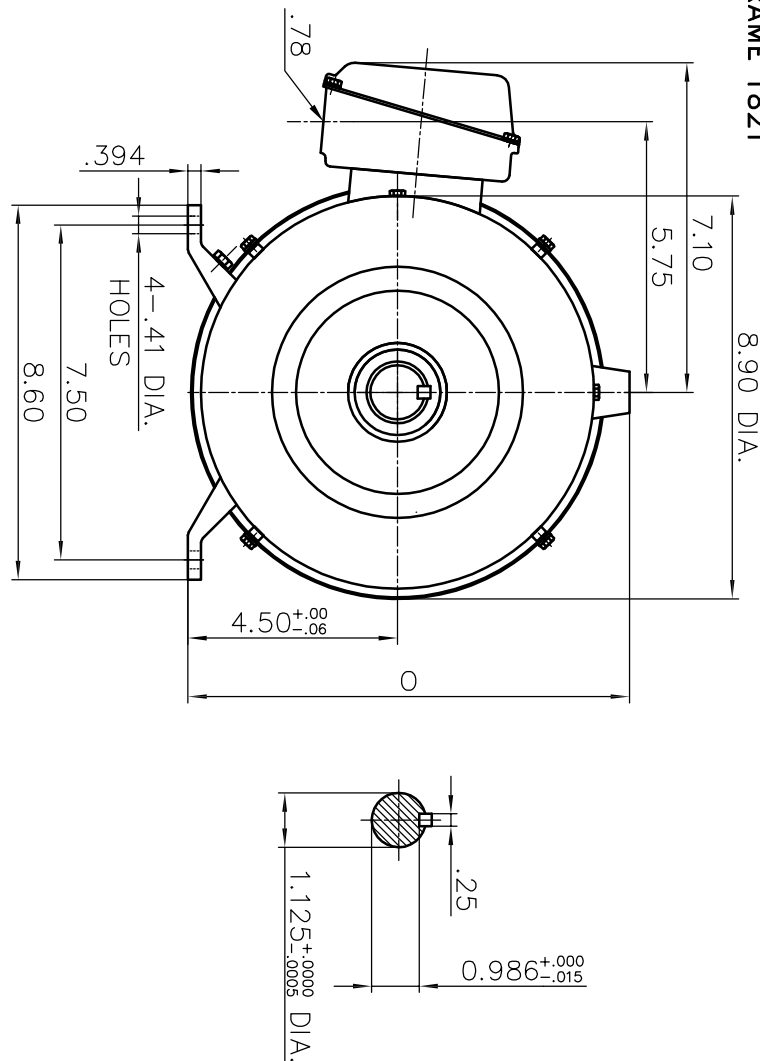
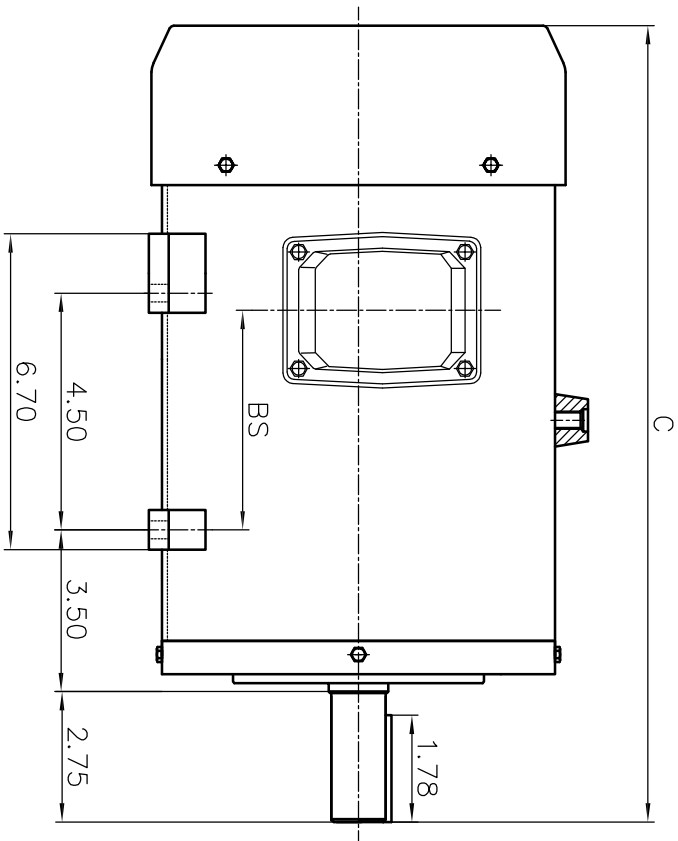


ALTERNATING CURRENT MOTORS

ENCLOSURE: TOTALLY-ENCLOSED
MOUNTING: FOOT

SQUIRREL-CAGE INDUCTION
STAINLESS STEEL FRAME
FRAME 182T

COOLING: FAN COOLED



NOTES:

- (1) DIMENSIONS ARE IN INCHES.
- (2) APPROXIMATE WEIGHT = 1.5HP, 6P, - 84 LBS. 3HP, 2P, -84 LBS. 3HP, 4P, -86 LBS.
- (3) DRIVE END BEARING 6306-2RZ
OPPOSITE DRIVE END BEARING 6306-2RZ

HP	C	O	BS
3HP 2P	17.30	9.20	5.16
1.5HP 6P / 3HP 4P	16.50	9.30	4.96

FRAME- _____ ITEM _____ HP- _____ RPM- _____ PH- _____ HZ- _____ VOLTS- _____
CERTIFIED FOR _____



DR. BY Barry
CK. BY Sky shen
APP. BY C. L. Wong
DATE 2017.04.18

DIMENSION SHEET

SAS-013315